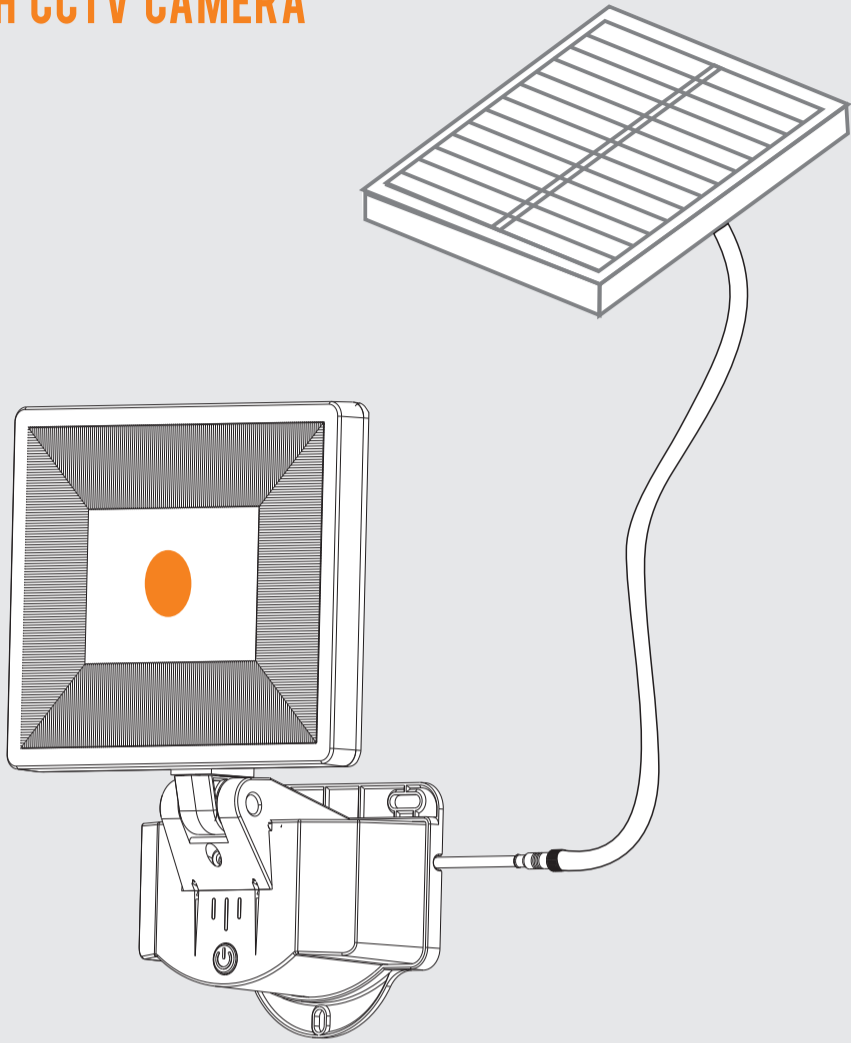


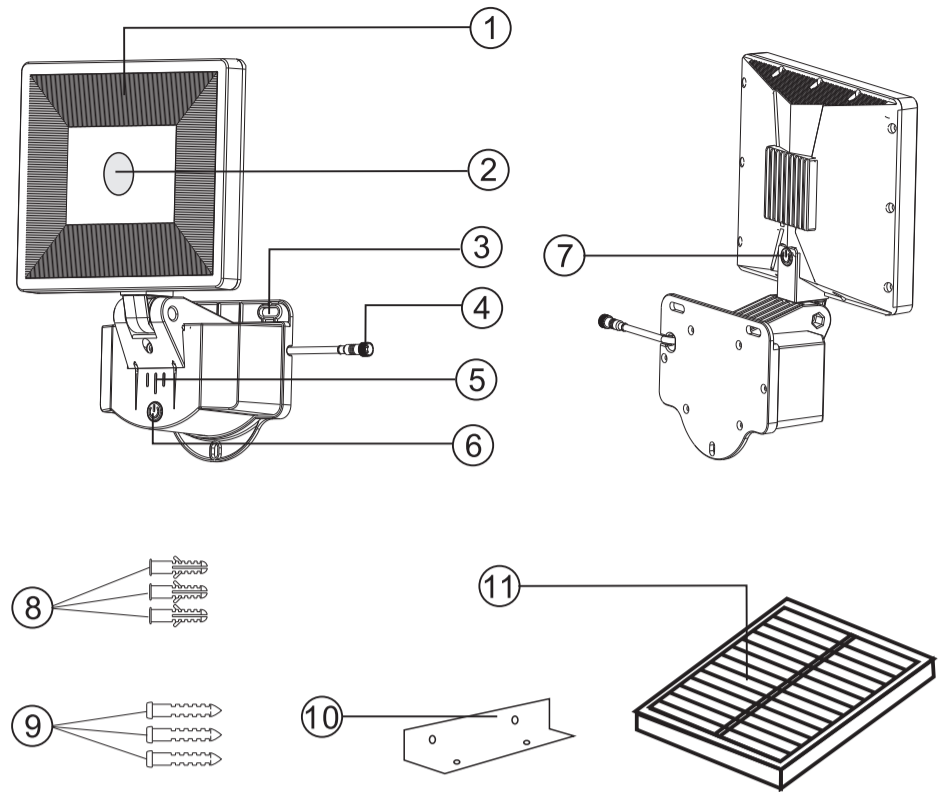
User Manual

SOLAR LED GARAGE LIGHT WITH CCTV CAMERA



RoHS | CE | FC | ♻️

Product Structure Diagram



- | | |
|---------------------------------|-----------------------------|
| 1. LEDs Panel | 7. CCTV Camera Reset button |
| 2. CCTV Camera | 8. Wall Bracket |
| 3. Installation Hole | 9. Screws |
| 4. Solar Panel Connecting Cable | 10. Solar panel support |
| 5. Lighting mode Indicator | 11. Solar Panel |
| 6. ON/OFF/Lighting Mode Switch | |

Special Note :

1. Please do not install the solar panel under the shadow of the obstruction, and adjust the angle to get much sunlight as possible .
2. Select the appropriate lighting mode according to the local sunlight
3. Suggestion : To make sure the solar lamps work well with good brightness . Please charge the lamps under strong sunlight for 5-8hrs before you use it
4. In order to ensure that the lamp works in an ideal state for a long time , please clean the solar panel regularly according to the local dust conditions , our suggestion s one time at least half a year .

Specifications:

- 1) LED: 204PCs 3200 lumens
- 2) Battery: lithium battery
- 3) Solar panel: 20W , high efficiency
- 4) Installation height 2-4M
- 5) Charging method: Solar power , 6-8hrs by bright sunshine
- 7) Lighting time: 3-5 nights
- 8) Sensor: Night sensor + Microwave sensor
- 9) Material : Outdoor ABS+PC
- 10) IP level : 65
- 11) Working Temperature: -25°C to +65°C
- 12) Product size: 163*232*92mm

CCTV CAMERA: 2 million pixels , with 32G SD card

Working mode:

Three Lighting Mode for your selection (Auto light on at dusk , and auto off at daytime)

Mode 1 : (First Indicator Red) --
LED light : 25% dim + 100% brightness and last for 30s until no motion detected.

Mode 2 : (Second Indicator Green) --
LED light : OFF + 100% brightness and last for 30s until no motion detected.

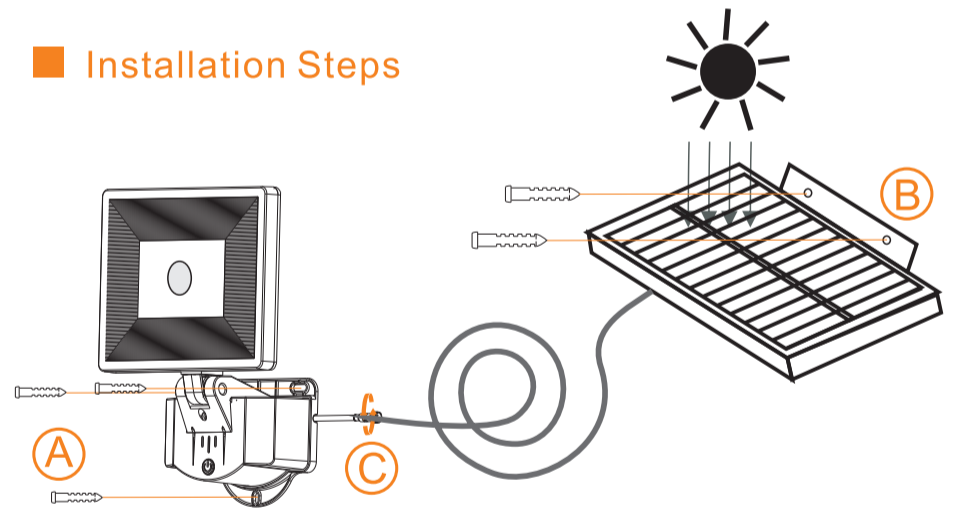
Mode 3 : (Third Indicator Blue) --
LED light : Constant half bright until dawn .

※ Camera : Video recording once movement detected (24hrs).
Time delay for recording 30s .

CCTV CAMERA APP

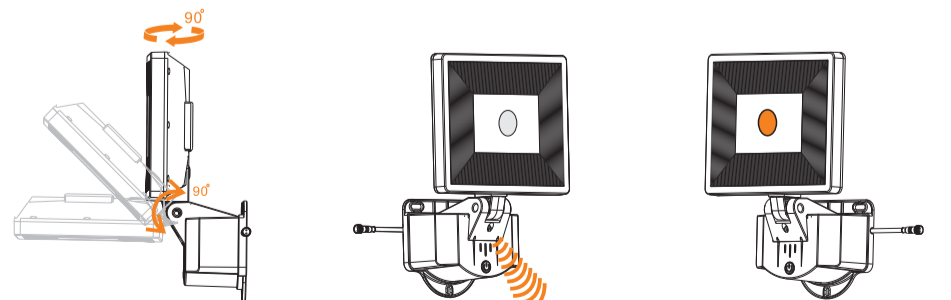
One device can be only connected with one master phone , if your friends or family need to connect the device , please help them to download the APP . Then to add the camera through QR code which shared by your master phone .

Installation Steps



- A: Install the product as your requirement .
B: Please install the solar panel in a place where it can directly illuminate the sunlight.
C: Connect the waterproof cable well , long press the button to activate the lighting system .

Specifications:



Rotate from up and down , left and right ,

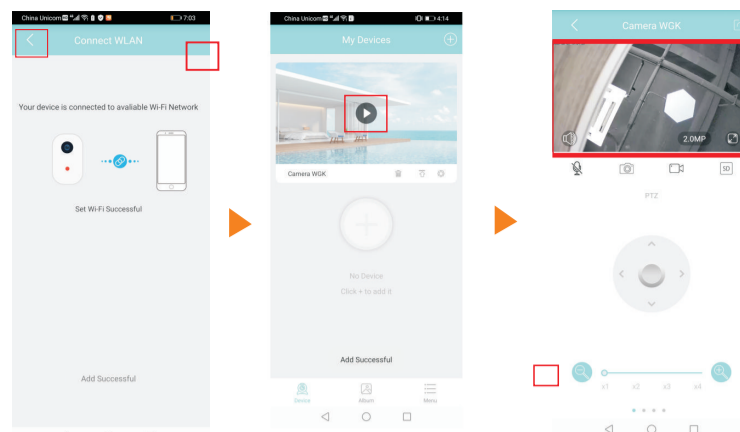
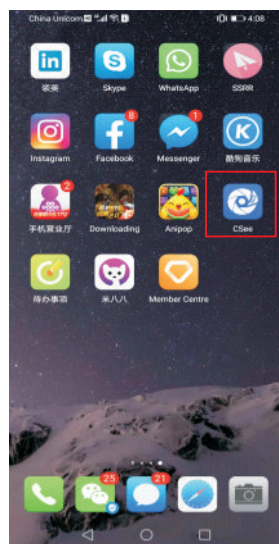
Microwave induction, energy saving

Auto video recording when movement activated .

The steps of connecting WIFI camera with APP



Scan the QR Code to Download the APP "Csee"



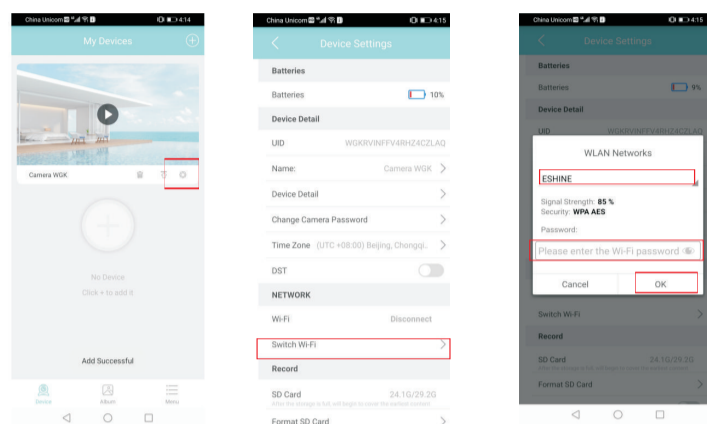
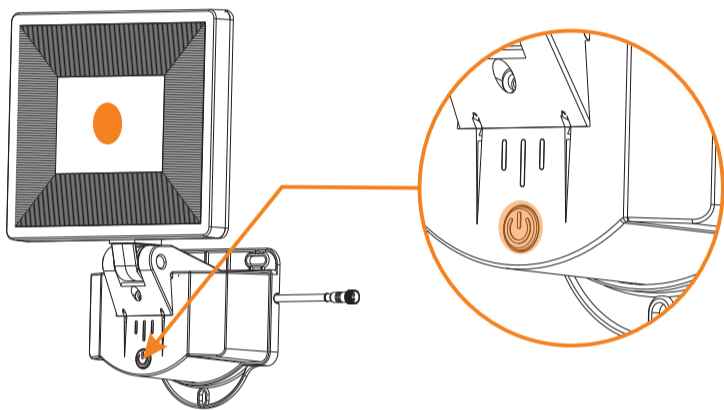
③ Please add the camera through AP Hotspot

Before you use the solar led garage light with CCTV camera, please kindly

prepare as follows:

- 1) WIFI ROUTER (Can reach the internet)
- 2) Mobile phone (Open WLAN)
- 3) Solar led light (Charged under strong sunlight for 5-8HRS)

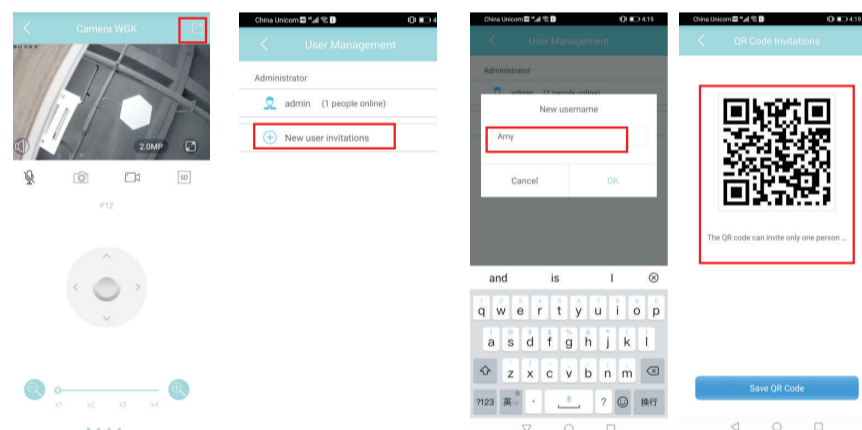
Step 1 : When led light is connected to the solar panel, cover the solar panel (simulating the night), then long press the button to activate the lighting system.



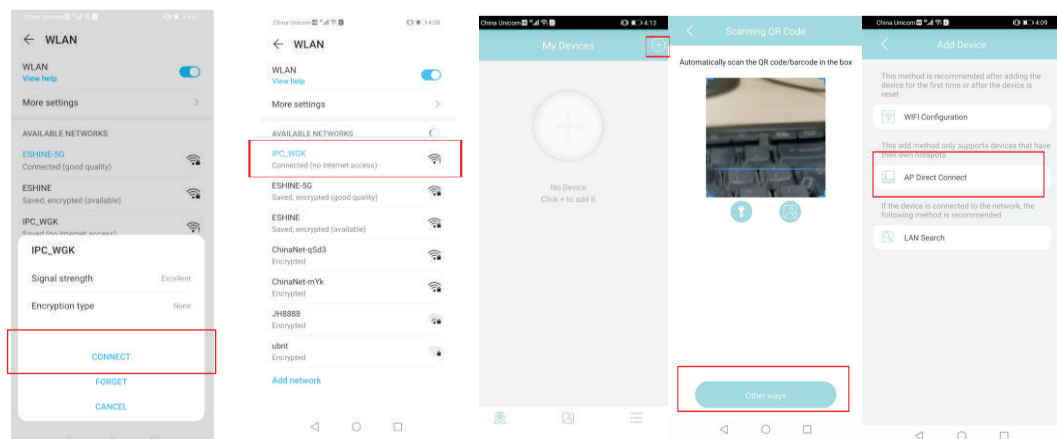
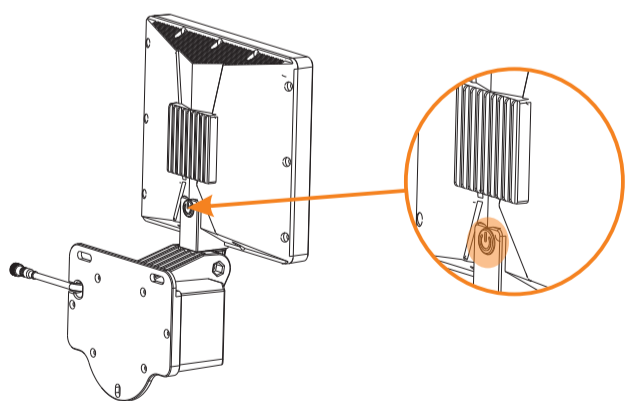
④ Back to homepage, to set up with your own room wifi. Once set up, only make sure your room wifi is open, wherever you go, you can have real time monitoring from your mobile phone.

Step 2: Prepare your mobile phone (make sure to turn on the WLAN), the wireless router (can connect to the network), Long press the camera reset switch (10 seconds). Open your mobile (WLAN) until your mobile phone can search for the WIFI signal from the camera, indicating that the camera reset is successful. (But at this moment please don't connect camera wifi signal to your mobile Through WLAN. Just keep your phone connected with room WIFI)

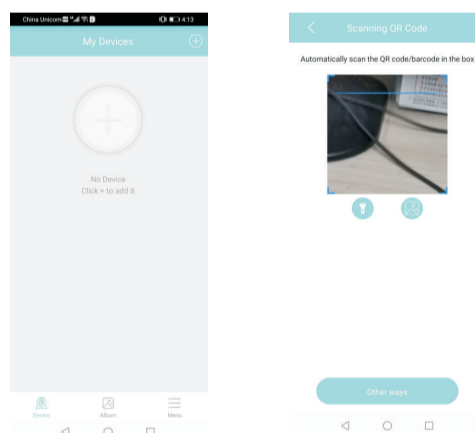
If your mobile phone not found the camera wifi signal, please recycle this step, and long press the reset switch a bit longer.



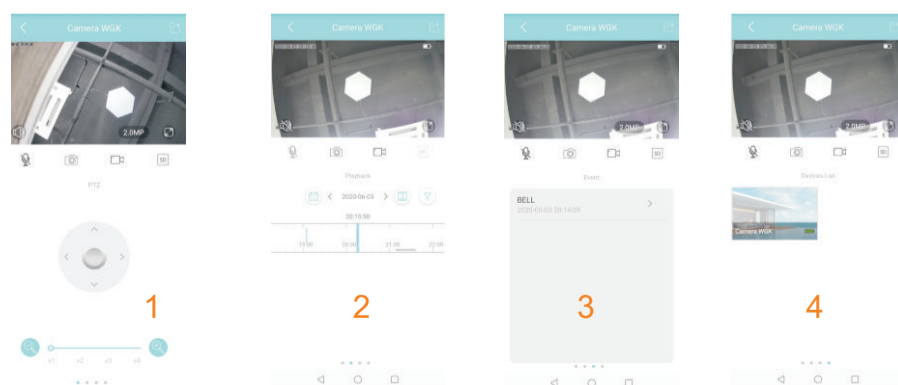
You can share this device QR code to your family or your friend, only they scan the QR code can have real time monitoring.



① Please connect the WIFI from camera on your phone. ② Please open the Csee App to add the device through AP Direct Connect



Your friend can connect the camera through you shared QR Code



1, You can take screenshots to record pictures or real-time videos to check the status of the SD card
2, You can replay the video
3, Can view events
4, You can view all the devices you have added